

Accessory

for ERHARD Diaphragm Valves with piston actuator

Travel Limiting Device for Diaphragm Valves with piston actuator

Design

The mounted travel stop facilitates simple and continuous setting of the limit positions. The travel can be limited in opening or closing direction according to requirement.

Range of application

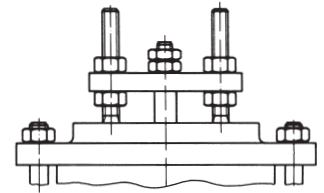
For simple, mechanically adjustable limitation of a flow rate.

Reduction in closing direction

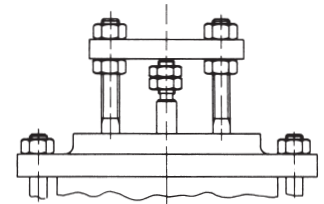
The travel is adjustable in each required intermediate position (required flow rate) starting from bottom limit position (tight closure).

Reduction in opening direction

The travel is adjustable in each required intermediate position (required flow rate) starting from top limit position (full flow rate).



Reduction in closing direction



Reduction in opening direction

Manual Emergency Operation for Diaphragm Valves with piston actuator

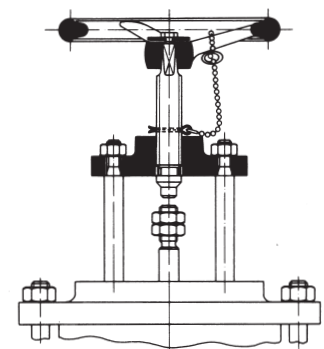
Design

Additionally mounted handwheel for mechanical emergency operation.

Double acting piston actuator: emergency operation in OPEN or CLOSED direction.

Single acting piston actuator with opening spring: emergency operation in CLOSED direction.

Single acting piston actuator with closing spring: emergency operation in OPEN direction.



Manual Emergency Operation