

Accessory

for Diaphragm Valves with piston actuator

Electromagnetic Control for Diaphragm Valves with piston actuator

Design

The diaphragm valve is controlled by means of the solenoid control valve¹⁾ by compressed air, oil or water.

The solenoid control valve is changed-over by an electromagnet for direct or alternating current.

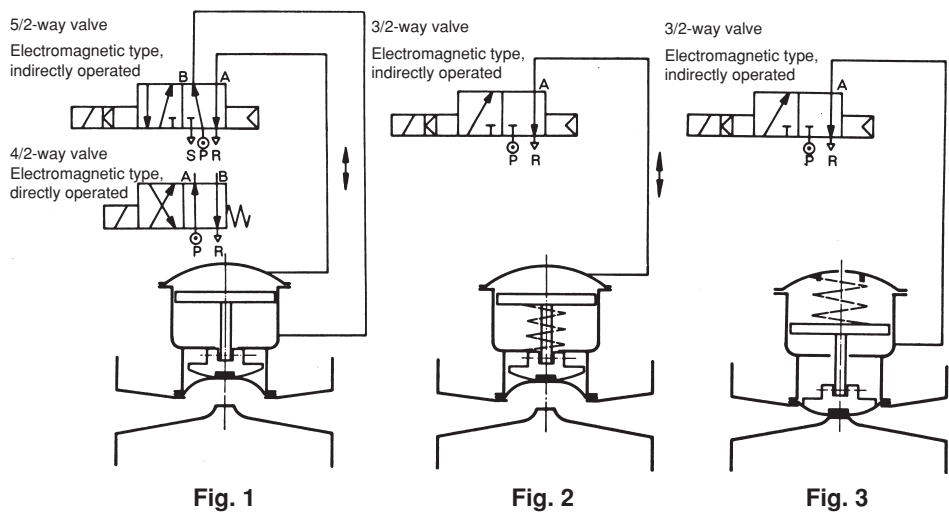
Double acting piston actuator:

5/2-way valve for compressed air

4/2-way valve for oil or water (see fig. 1)

Single acting piston actuator with opening spring:

3/2-way valve for compressed air, oil or water (see fig. 3)



For adjusting a certain closing time the following devices can be installed in the outlet orifices of the solenoid control valves:

- for control by compressed air: outlet throttles,
- for control by oil and water: throttle valves.

¹⁾ Mounting of the control lines from diaphragm valve to control valve by means of PU hose.

Note:

When placing the enquiry or order, please specify:
kind of current, voltage, supply medium (air, water, oil).
Opened or closed diaphragm valve when magnet is de-energized.
Required closing time.